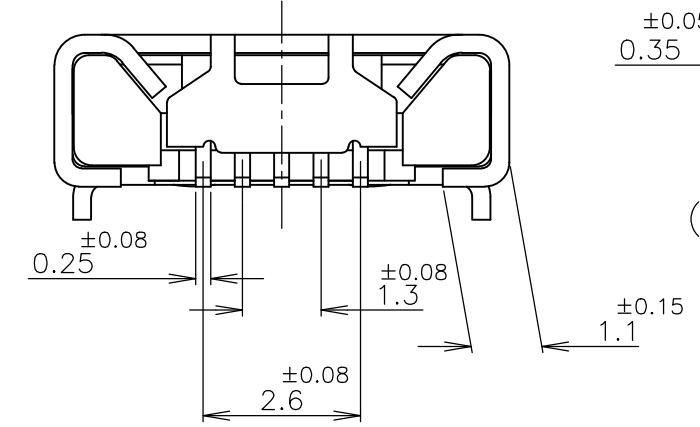
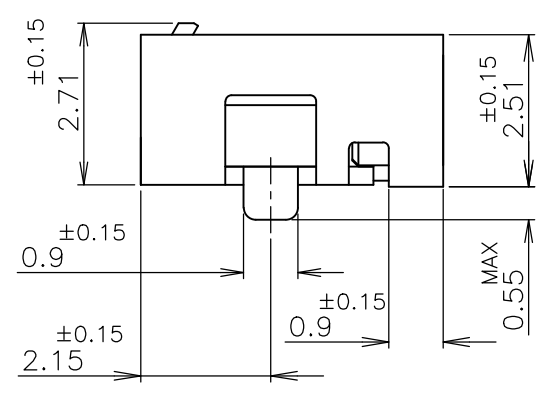
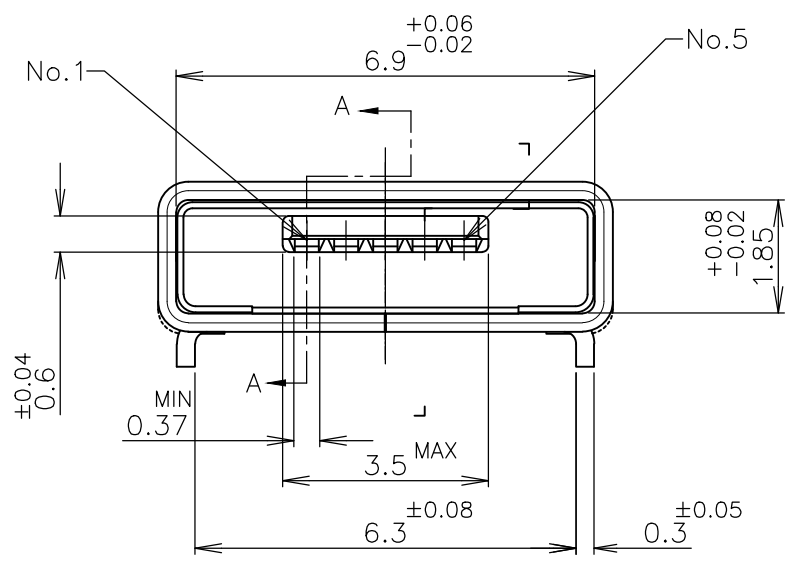
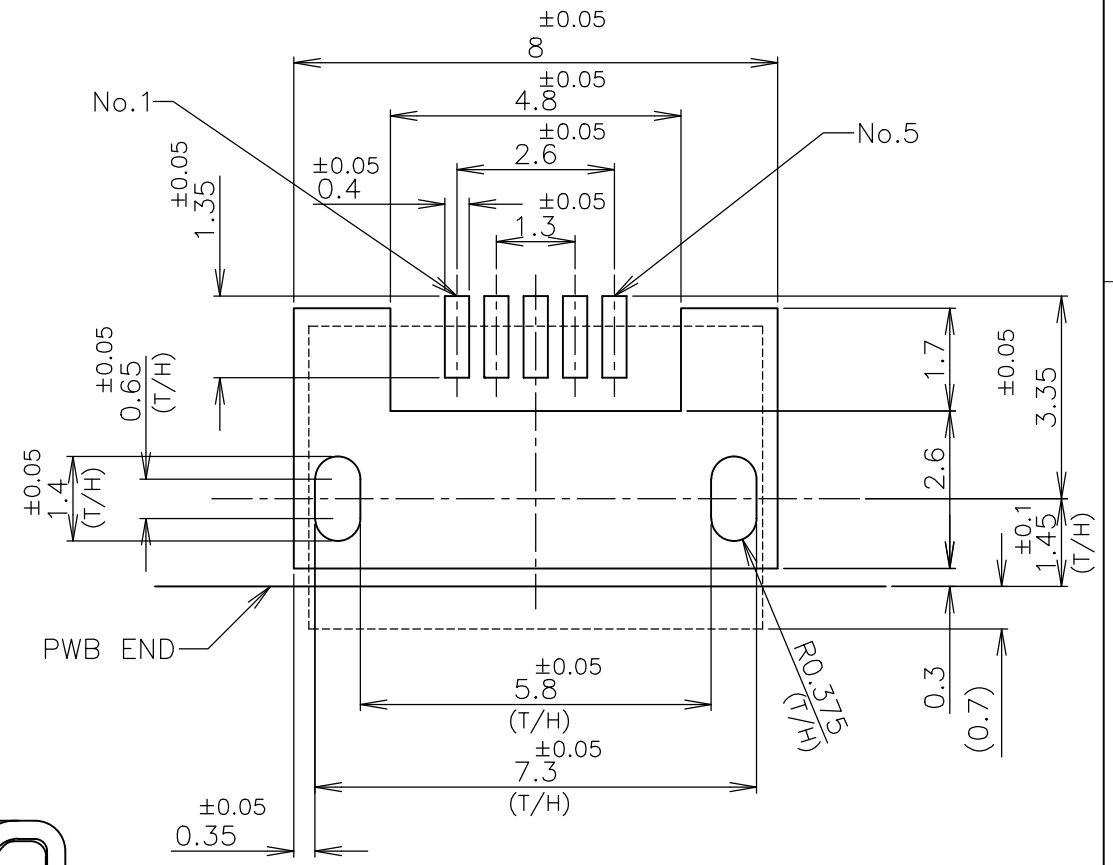
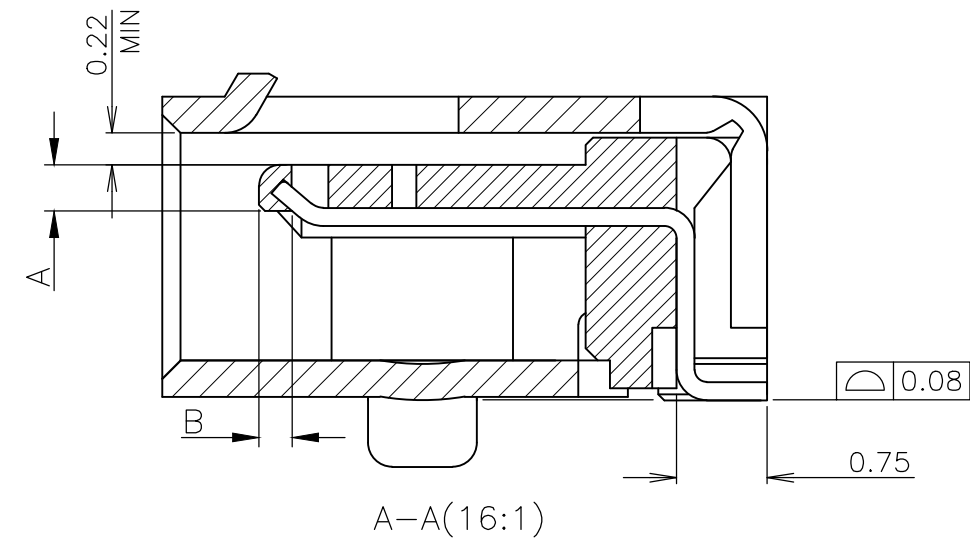
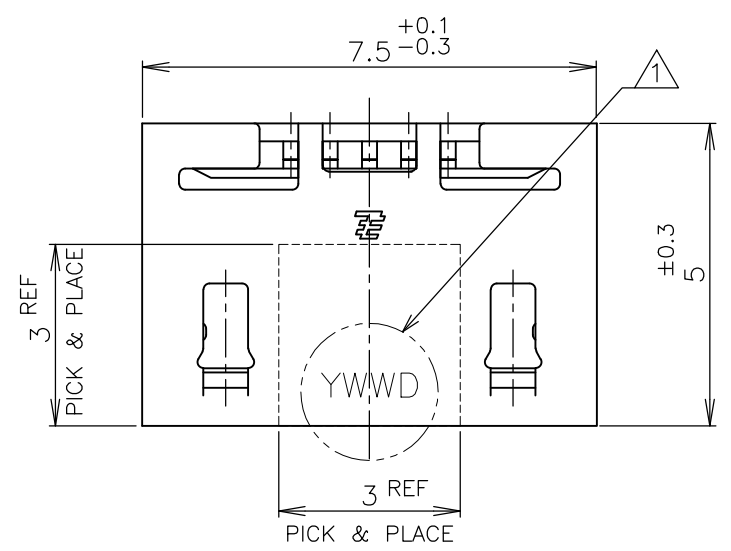


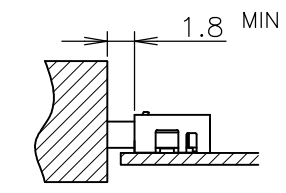
THIS DRAWING IS UNPUBLISHED. RELEASED FOR PUBLICATION NOV. 2011.
 © COPYRIGHT 2011 By Tyco Electronics Japan G.K. ALL RIGHTS RESERVED.

| LOC | DIST | REVISIONS | | | | | |
|-----|------|-----------|-----|--------------------------|-----------|-----|------|
| J | / | P | LTR | DESCRIPTION | DATE | DWN | APVD |
| | | A5 | | REVISED BY ECR-16-001659 | 28Jan2016 | A.X | H.W |



PWB LAYOUT(REFERENCE)
(VIEWED FROM CONNECTOR MOUNT SIDE)

DISTANCE BETWEEN PLUG & RECE



(REFERENCE DIMENSION)

① LASER MARKING: YWWD

DATE CODE
(YEAR, WEEK, DAY)

- 2. OVERALL TOLERANCE: ±0.2
- 3. MATERIAL HOUSING: THERMOPLASTIC RESIN UL94V-0
CONTACT: COPPER ALLOY
SHELL : STAINLESS STEEL
(APPLIED GREASE AT LOCK POSITION)

- 4. FINISH CONTACT: Ni UNDER PL Au PL
SHELL : Ni UNDER PL
Sn PL OR ADDITIONAL SELECTIVE BLACK Ni PL

- 5. PREVENTION OF WRENCHING
PLEASE HOLD THE TOP AND THE SIDE OF CONNECTOR BY THE CASE.
- 6. PREVENTION OF HITTING DURING PLUG INSERTION
PLEASE SET THE INSERTION GUIDE ALONG THE MATING SURFACE.

- ④ 7. FOR P/N:2134536-3, REFLOW PEAK TEMPERATURE: 250 DEGREE.
REFLOW PROCESS WITH NITROGEN PROTECTION.

⑤ ONLY 2134536-5&-6 PIN1 DIM B=0.60,THE OTHER PIN&P/N DIM B=0.27

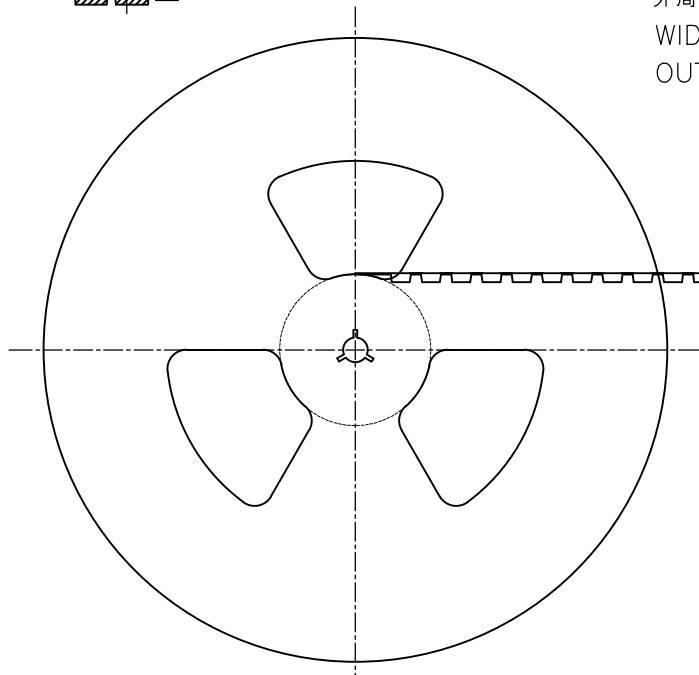
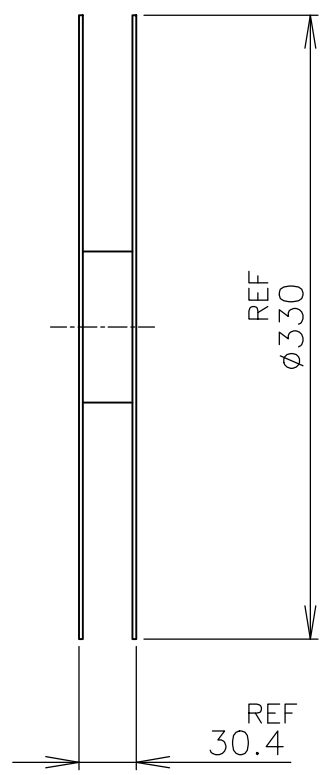
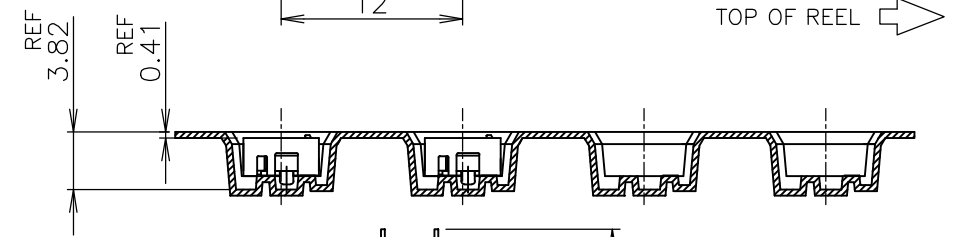
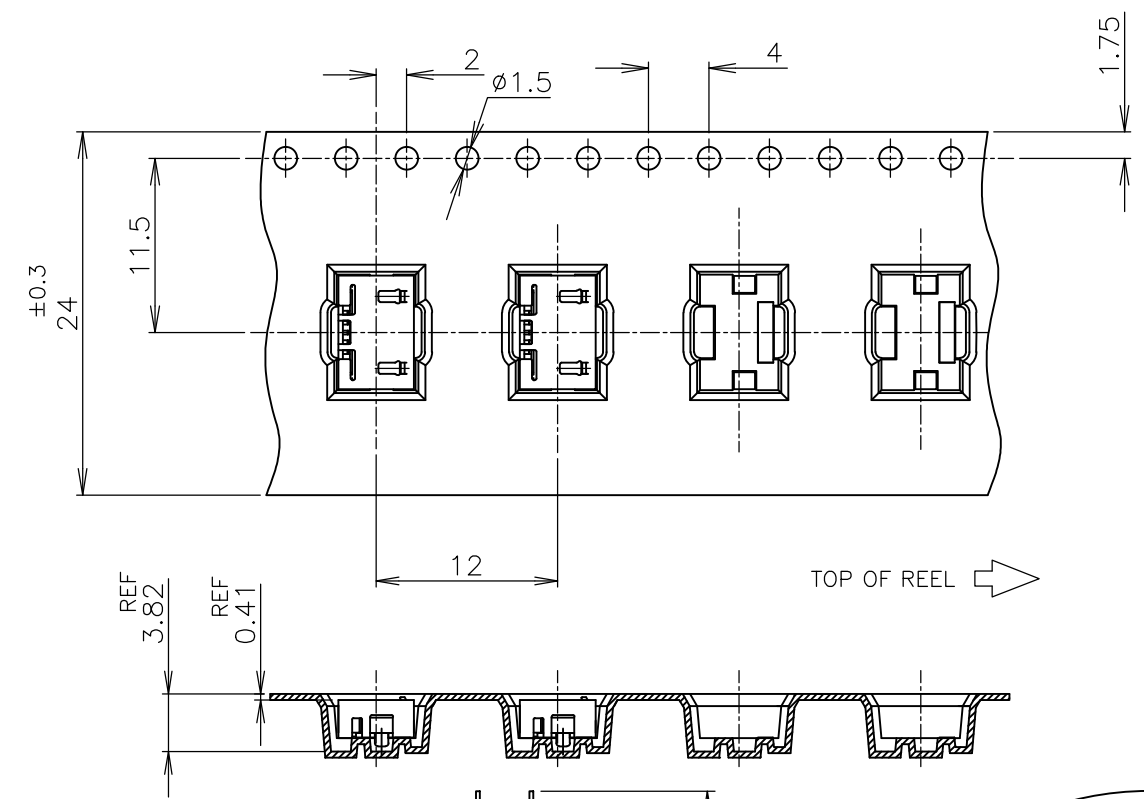
| DESCRIPTION(HSG) | DESCRIPTION(SHELL) | PART NUMBER | DIM A | DIM B(PIN 1) |
|------------------|---|-------------|-------|--------------|
| ⑤ COLOR: WHITE | Sn AND Ni PLATING | 2134536-6 | 0.43 | 0.60 |
| ④ ⑤ | | 2134536-4 | 0.38 | 0.27 |
| ⑤ COLOR: BLACK | Ni 0.6um Min. PLATING GOLD FLASH PLATING BLACK Ni SELECTIVE PLATING | 2134536-5 | 0.43 | 0.60 |
| ④ ⑤ | | 2134536-3 | 0.38 | 0.27 |
| ① COLOR: GRAY | Sn AND Ni PLATING | 2134536-2 | 0.38 | 0.27 |

THIS DRAWING IS A CONTROLLED DOCUMENT.

| | | | |
|----------------------------|---|---|---|
| DIMENSIONS: 単位: 耗 MM | TOLERANCES UNLESS OTHERWISE SPECIFIED: 一般公差 | DWN C.OHASHI 07NOV2011 | TE Connectivity MICRO USB RECEPTACLE STANDARD TYPE AB FLANGELESS |
| | 0 PLC ± - 1 PLC ± - 2 PLC ± - 3 PLC ± - 4 PLC ± - ANGLES ± - | CHK A.KUBO 08NOV2011 | |
| | | APVD T.KUSUHARA 08NOV2011 | |
| | | PRODUCT SPEC 製品規格 108-78434 | |
| MATERIAL 材料 | FINISH 仕上 | APPLICATION SPEC 取付適用規格 408-78009 | NAME 名称 |
| | | WEIGHT 0.24g | SIZE A3 |
| | | CUSTOMER DRAWING | CAGE CODE 00779 |
| | | | DRAWING NO 番号 G-2134536 |
| | | | RESTRICTED TO - |
| | | | SCALE 尺度 NTS |
| | | | SHEET 1 OF 3 |
| | | | REV A5 |

THIS DRAWING IS UNPUBLISHED. RELEASED FOR PUBLICATION NOV. 2011.
 © COPYRIGHT 2011 By Tyco Electronics Japan G.K. ALL RIGHTS RESERVED.

| LOC | DIST | REVISIONS | | | | | |
|-----|------|-----------|-----|-------------|------|-----|------|
| J | / | P | LTR | DESCRIPTION | DATE | DWN | APVD |
| | | - | | SEE SHEET 1 | - | - | - |



カバーテープリーダー部
 外周1巻
 WIDE COVER TAPE AROUND
 OUT PERIPHERY 1 TURN

剥離強度 0.1-1.3N MAX(300±10mm/min)
 PEELING STRENGTH
 剥離角度 165~180°
 PEELING ANGLE

引き出し方向
 TOP OF REEL

1000個/リール
 1000EA/REEL

HOLES
 15穴

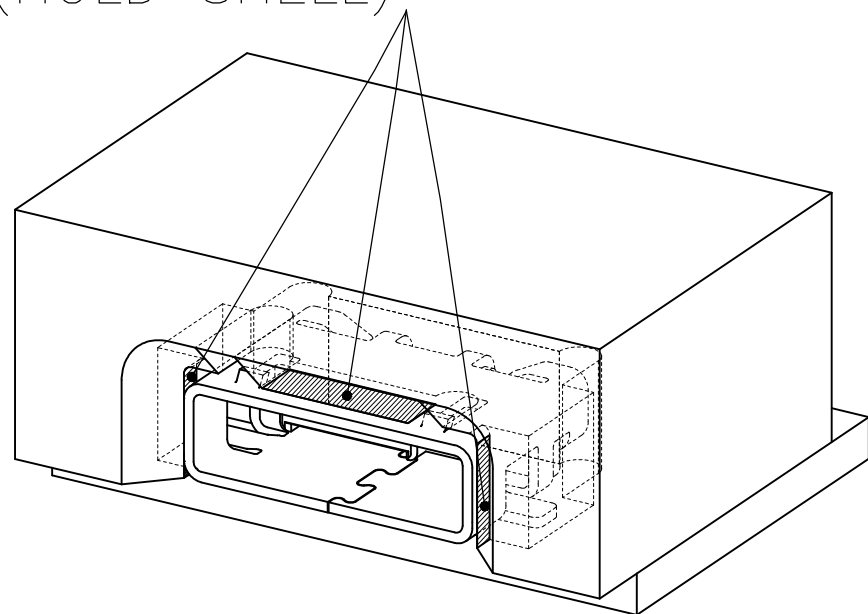
空部 WITHOUT CHARGE 160mm程度 APPROX
 製品装填部 WITH PRODUCT CHARGE
 空部 WITHOUT CHARGE 400mm程度 APPROX

| | | | | | |
|---|--|------------------|--|-----------|------------|
| THIS DRAWING IS A CONTROLLED DOCUMENT. | | DWN | TE Connectivity | | |
| DIMENSIONS: 単位: 耗 MM | | CHK | NAME 名称 | | |
| TOLERANCES UNLESS OTHERWISE SPECIFIED: 一般公差 | | APVD | MICRO USB RECEPTACLE STANDARD TYPE AB FLANGELESS | | |
| 0 PLC ±- | | PRODUCT SPEC | SIZE | CAGE CODE | DRAWING NO |
| 1 PLC ±- | | 製品規格 | A3 | 00779 | C-2134536 |
| 2 PLC ±- | | APPLICATION SPEC | RESTRICTED TO | | |
| 3 PLC ±- | | 取付適用規格 | - | | |
| 4 PLC ±- | | WEIGHT | SCALE 尺度 NTS SHEET 2 OF 3 REV A5 | | |
| ANGLES ±- | | CUSTOMER DRAWING | | | |
| FINISH 仕上 | | | | | |

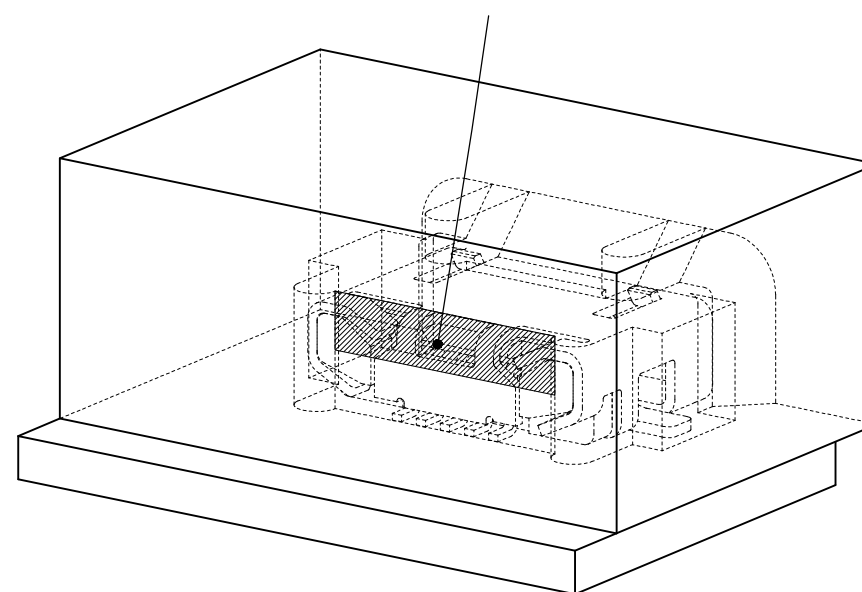
THIS DRAWING IS UNPUBLISHED. RELEASED FOR PUBLICATION NOV , 2011.
 © COPYRIGHT 2011 By Tyco Electronics Japan G.K. ALL RIGHTS RESERVED.

| LOC | DIST | REVISIONS | | | | | |
|-----|------|-----------|-----|-------------|------|-----|------|
| J | / | P | LTR | DESCRIPTION | DATE | DWN | APVD |
| | | - | | SEE SHEET 1 | - | - | - |

CONNECTOR INSERTION OPENING
(HOLD SHELL)

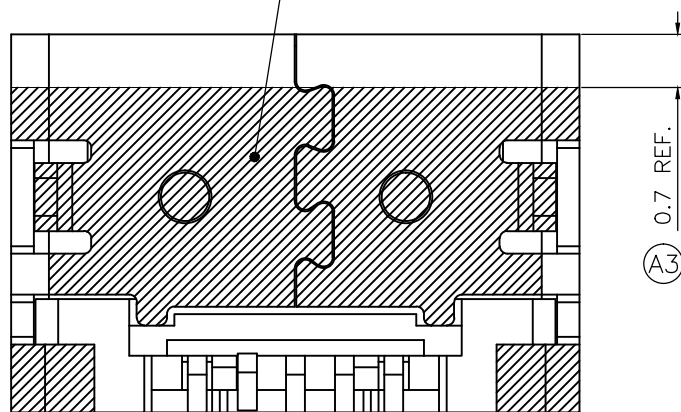



CONNECTOR BACK SIDE
(HOLD SHELL AND HOUSING)



GUIDE CASE FOR WRENCHING (REFERENCE)

SELECTIVE PLATING AREA (A3)
(Sn PLATING AREA)



| | | | | | |
|---|--|----------------------------|---|-----------|------------------|
| THIS DRAWING IS A CONTROLLED DOCUMENT. | | DWN |  TE Connectivity | | |
| DIMENSIONS: 単位: 耗 MM | | CHK | NAME 名称 | | |
| TOLERANCES UNLESS OTHERWISE SPECIFIED: 一般公差 | | APVD | MICRO USB RECEPTACLE STANDARD TYPE AB FLANGELESS | | |
| 0 PLC ± - 1 PLC ± - 2 PLC ± - 3 PLC ± - 4 PLC ± - ANGLES ± - | | PRODUCT SPEC 製品規格 | SIZE | CAGE CODE | DRAWING NO 番号 |
| MATERIAL 材料 | | APPLICATION SPEC 取付適用規格 | A3 | 00779 | G-2134536 |
| FINISH 仕上 | | WEIGHT | RESTRICTED TO | | |
| CUSTOMER DRAWING | | | SCALE 尺度 | SHEET | REV |
| | | | NTS | 3 OF 3 | A5 |